

SQFlex Solar

- with CU 200 and level switch

The SQFlex Solar system allows solar energy to be stored as water in a reservoir.

SQFlex Solar water supply systems with a water reservoir are used where

- there is a need for water supply at night
- for short periods, the solar energy is insufficient to run the pump
- there is a need for a back-up water source.

Benefits

Combined with the CU 200, the level switch acts as a pump cut-out function when the water reservoir is full.

The CU 200 offers indication of

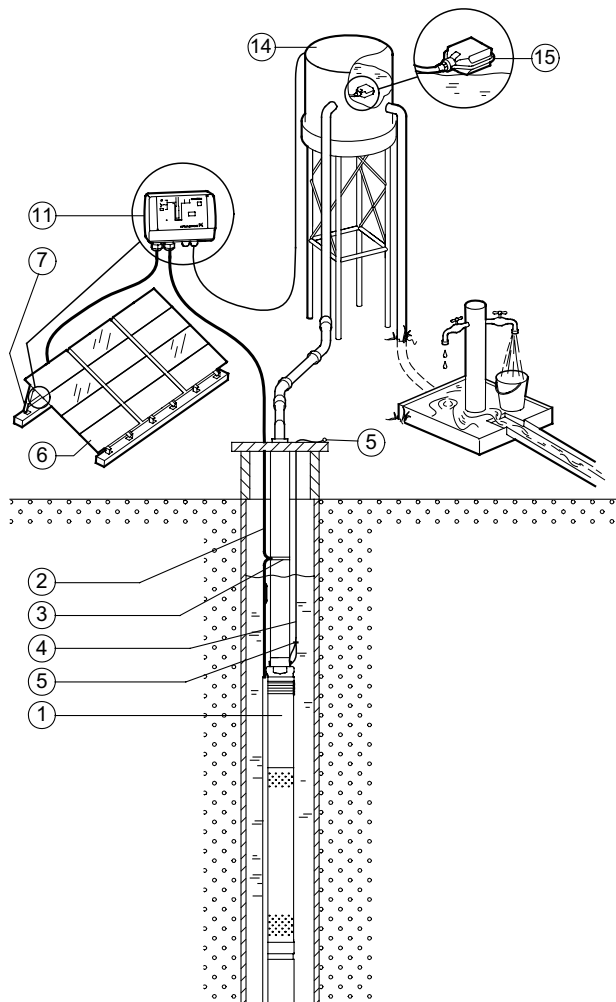
- full water reservoir (level switch activated)
- pump operation
- input power.

The CU 200 indicates operational stoppage in case of

- dry running
- service (see page 19)
- insufficient energy supply.

In addition, the system features

- easy installation
- maintenance confined to periodic cleaning of the solar panels.



- 1 SQF pump
- 2 Submersible drop cable
- 3 Cable clips
- 4 Straining wire
- 5 Wire clamp
- 6 Solar panels
- 7 Support structure
- 11 CU 200 SQFlex control unit
- 14 Water reservoir
- 15 Level switch

Note: For the number of solar modules required, please consult the sizing tool in Grundfos WinCAPS.

Fig. 7 SQFlex Solar with CU 200 and level switch

TM02 2305 4101